



天津市普飞喉箍有限公司

Tianjin Poofey Hose Clamp Co., Ltd



PFC

www.poofey.com

企业简介

ENTERPRISE PROFILE

没有完美的个人 只有完美的团队

天津市普飞喉箍有限公司是一家专业生产各种喉箍的生产型工厂。工厂位于中国的第二大港口城市天津，成立于1997年，拥有员工250余人。公司前身为天津市奥津喉箍厂，2009年更名为天津市普飞喉箍有限公司，至今已有长达20年的喉箍制造历史。

我们的主要产品有美式系列，德式、意式、强力、管束、连胶条、V型沟槽等等，产品种类多种多样，产品材质主要分为不锈钢和铁镀锌两种。我厂技术力量雄厚，有工程师5名，其中包括高级工程师3名，精于研发各种新产品。

我们凭借着高质量，低价格以及优质的服务已经开拓了美国、加拿大、法国、意大利以及其他的欧美市场；在国内方面，我们的市场也几乎覆盖了包括各个省和直辖市，如北京、天津、上海、浙江、重庆、福建、山东、河北等等。

COMPANY INTRODUCTION:

Tianjin Poofey Hose Clamp Co., Ltd, specialized in producing all kinds of hose clamps, has a 20-year history. Our factory is located in Tianjin, which is the second largest port of China. It only takes half an hour from Tianjin to Beijing by train.

Our main products are German style, American style, Italy style, English style, heavy duty style, all kinds of drainage couplings and so on. Regarding the material, both of galvanized steel and stainless steel are available for us. There are 5 experienced engineers in our company. We are good at making new products.

We won more and more markets by higher quality, better service and lower price. Our main international markets is US, Canada, France, Italy and others. The domestic market nearly includes all of the provinces or cities in China, for example, Beijing, Tianjin, Shanghai, Zhejiang, Chongqing, Fujian, Shandong, Hebei.

We are looking forward to building and developing longterm cooperation with customers worldwide. Welcome you to contact with us if you have any inquiry about my kinds of hose clamps!





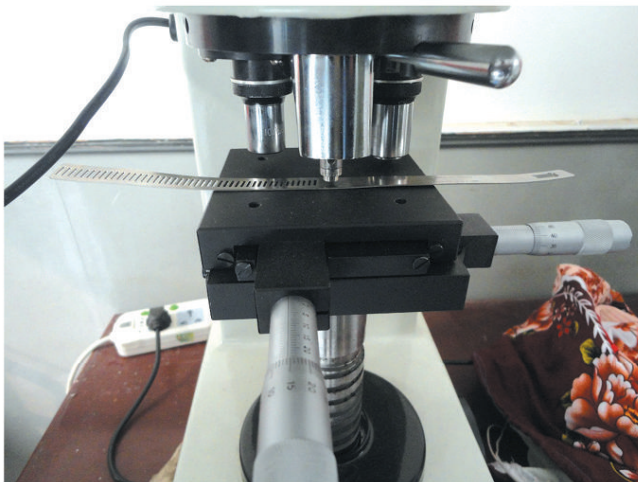
生产车间

The Production Workshop



检测设备

Testing Equipment



包装运输

The Packing and Shipping



企业荣誉 Enterprise Honor

European Certifying Organization

European Certifying Organization
ECO s.p.a.

CERTIFICATE OF CONFORMITY
Registration no: 714023711

Holder: Tianjin Poofey Hose Clamp Co., Ltd.
Yuanmengkou Industrial Area, Yanhuang Town, Jinghai, Tianjin, P.R.China

Product: Hose Clamp

Technical file no.: TYPF-EN-2011-A dated 2011/05/13

Test Lab: European Certification (Beijing) Standards Technical Services Co., Ltd.

Test report: no ESC- TYPF-2011/05-EN dated 2011/05/13

Models Covered: 8-12, 18-16, 12-20, 16-27, 20-32, 25-40, 30-45, 32-50, 40-60, 50-70, 60-80, 80-100, 100-120, 110-130, 11-19, 20-22, 23-25, 26-28, 29-31, 32-36, 36-40, 40-44, 44-47, 48-51, 52-56, 56-59, 60-63, 64-67, 68-73, 76-79, 80-85, 86-91, 92-97, 98-103, 104-112, 113-121, 122-130, 131-139, 140-148, 149-161, 162-174, 175-187, 203-215, 227-239

Reference Standards: EN 14420-1:2004
EN 14420-3:2004

Conclusion: This assessment is based on an evaluation of the test report and sample of the above mentioned product and it is to certify that it has been made in conformity with the limited requirements of standard EN 14420-1:2004 and EN 14420-3:2004.

Place and date of issue: FERRIS, ITALY
2011/05/19

Signature: Gian Nicola Baldi

Note: Any modification to the technical file should be first submitted to ECO to ensure further validity of this document.

The product must be put into the market only in observance of the national rules and standards of the country of use. Page 1 of 1

Viale Spadolini, 11 - Ferrara 44018, Italy - Tel. +39 0544 20111 Fax +39 0544 42022 Email: info@ecocert.org Website: www.ecocert.org

EACC

认证证书

证书号: 11415Q22200R2M

兹证明

天津市普飞喉箍有限公司

组织机构代码: 69066820X

天津市静海县沿庄镇东元道口村

质量管理体系符合标准

GB/T 19001-2008 idt ISO 9001:2008

质量管理体系适用范围

喉箍的生产

初次发证日期: 2009年08月24日
发证日期: 2015年09月20日
证书有效期限: 2015年09月20日

签发: 许志平

北京威凯认证中心

EACC ISO 9001
IAF
CNAS CNAS C114-Q

第一次监督
合格标志
(有效期1)

第二次监督
合格标志
(有效期2)

第三次监督
合格标志
(有效期3)

EACC

Certificate

Certificate No.: 11415Q22200R2M

This is to certify that the Quality Management System of

TIANJIN POOFEY HOSE CLAMP CO., LTD.

Organization Code: 69066820X

Yuanmengkou, Yanhuang Town, Jinghai County, Tianjin, China

Has been audited to conform to the following Quality Management system standard

GB/T 19001-2008 idt ISO 9001:2008

This Quality Management System is valid for the

Manufacture of hose clamp

Initial Issue Date: Aug 24, 2009
Date of Issue: Aug 20, 2015
Certificate Validity: Aug 20, 2015

Issued by: Xu Zhiping

EACC ISO 9001
IAF
CNAS MANAGEMENT SYSTEMS
CNAS C114-Q

The certificate holder must: and only if essential operations remain in force, and the certificate holder must notify the issuing body of any changes to the certificate. The certificate holder is to provide the issuing body with the details of any changes to the certificate. The certificate holder is to provide the issuing body with the details of any changes to the certificate. The certificate holder is to provide the issuing body with the details of any changes to the certificate.

The "1" Surveillance Conforming Mark

The "2" Surveillance Conforming Mark

The "3" Surveillance Conforming Mark



SGS

Test Report No. TSNEC000039101 Date: 02 Dec 2009 Page 1 of 7

TIANJIN ACJIN HOSE CLAMP FACTORY
YUANMENGKOU INDUSTRIAL AREA, YANHUANG TOWN, JINGHAITIANJIN CHINA

The following sample(s) was/were submitted and identified on behalf of the client as:

HOSE CLAMP

SGS Job No. : 1004074 - T2
SGS Internal Reference No. : 21
Composition : GALVANIZED STEEL
Date of Sample Received : 27 Nov 2009
Testing Period : 27 Nov 2009 - 02 Dec 2009

Test Requested : Selected test(s) as requested by client.
Test Method : Please refer to next page(s).
Test Results : Please refer to next page(s).
Conclusion : Based on the performed tests on submitted sample(s) (001-003), the results comply with the RoHS Directive 2002/95/EC and its subsequent amendments.

Signed for and on behalf of
SGS-CSTC Ltd.

Luwei Qi
Lab Manager

The SGS Group is a member of the Bureau Veritas Group. SGS is a global leader in testing, inspection and certification services. SGS is a global leader in testing, inspection and certification services. SGS is a global leader in testing, inspection and certification services. SGS is a global leader in testing, inspection and certification services.

SGS is a global leader in testing, inspection and certification services. SGS is a global leader in testing, inspection and certification services. SGS is a global leader in testing, inspection and certification services. SGS is a global leader in testing, inspection and certification services.

SGS

Test Report No. TSNEC090093101 Date: 02 Dec 2009 Page 2 of 7

Test Results:
 ID for specimen 1 : TSNEC090093101
 Description for specimen 1 : silver/blue metal

RoHS Directive 2002/95/EC

Test Item(s)	Unit	Test Method (Reference)	Result	MDL	Limit
Cadmium (Cd)	mg/kg	IEC 62521 Ed.1:2006, AAS	N.D.	2	100
Lead (Pb)	mg/kg	IEC 62521 Ed.1:2006, AAS	N.D.	2	1000
Mercury (Hg)	mg/kg	IEC 62521 Ed.1:2006, ICP-AES	N.D.	2	1000
Hexavalent Chromium (CrVI) by boiling water extraction	mg/kg	IEC 62521 Ed.1:2006, UV-Vis	Negative	0	#

Note:
 1. mg/kg = ppm
 2. N.D. = Not Detected (< MDL)
 3. MDL = Method Detection Limit
 4. # = Spot-Test
 Negative = Absence of CrVI coating, Positive = Presence of CrVI coating:
 (The tested sample should be further verified by boiling-water-extraction method if the spot test result is negative or cannot be confirmed.)
 Boiling-water-extraction:
 Negative = Absence of CrVI coating, the detected concentration in boiling-water-extraction solution is equal or greater than 0.02 mg/kg with 50 cm² sample surface area.
 Positive = Presence of CrVI coating, the detected concentration in boiling-water-extraction solution is equal or greater than 0.02 mg/kg with 50 cm² sample surface area.
 For corrosion protection coatings on metals: Information on storage conditions and production date of the tested sample is unavailable and thus results of CrVI represent status of the sample at the time of testing.
 # = Positive indicates the presence of CrVI on the tested areas.
 Negative indicates the absence of CrVI on the tested areas.
 6. The maximum permissible limit is quoted from the document 2005/618/EC amending RoHS directive 2002/95/EC

SGS logo and contact information at the bottom.

SGS

Test Report No. TSNEC090093101 Date: 02 Dec 2009 Page 3 of 7

Test Results:
 ID for specimen 2 : TSNEC090093102
 Description for specimen 2 : silver/blue metal

RoHS Directive 2002/95/EC

Test Item(s)	Unit	Test Method (Reference)	Result	MDL	Limit
Cadmium (Cd)	mg/kg	IEC 62521 Ed.1:2006, AAS	N.D.	2	100
Lead (Pb)	mg/kg	IEC 62521 Ed.1:2006, AAS	N.D.	2	1000
Mercury (Hg)	mg/kg	IEC 62521 Ed.1:2006, ICP-AES	N.D.	2	1000
Hexavalent Chromium (CrVI) by boiling water extraction	mg/kg	IEC 62521 Ed.1:2006, UV-Vis	Negative	0	#

Note:
 1. mg/kg = ppm
 2. N.D. = Not Detected (< MDL)
 3. MDL = Method Detection Limit
 4. # = Spot-Test
 Negative = Absence of CrVI coating, Positive = Presence of CrVI coating:
 (The tested sample should be further verified by boiling-water-extraction method if the spot test result is negative or cannot be confirmed.)
 Boiling-water-extraction:
 Negative = Absence of CrVI coating, the detected concentration in boiling-water-extraction solution is equal or greater than 0.02 mg/kg with 50 cm² sample surface area.
 Positive = Presence of CrVI coating, the detected concentration in boiling-water-extraction solution is equal or greater than 0.02 mg/kg with 50 cm² sample surface area.
 For corrosion protection coatings on metals: Information on storage conditions and production date of the tested sample is unavailable and thus results of CrVI represent status of the sample at the time of testing.
 # = Positive indicates the presence of CrVI on the tested areas.
 Negative indicates the absence of CrVI on the tested areas.
 6. The maximum permissible limit is quoted from the document 2005/618/EC amending RoHS directive 2002/95/EC

SGS logo and contact information at the bottom.

SGS

Test Report No. TSNEC090093101 Date: 02 Dec 2009 Page 5 of 7

Pb/Cd/Hg/Cr^{VI} Testing Flow Chart

1) Operator : Amy Wang
 2) Section Chief : Cindy Yin

```

  graph TD
    A[Mechanical Sample Preparation] --> B[Sample Measurement]
    B --> C{Pb/Cd/Hg}
    C --> D[Acid digestion with microwave hotplate]
    D --> E[Filtration]
    E --> F{Residue}
    F -- No --> G[Total Digestion]
    F -- Yes --> H[ICP-AES/AAAS]
    H --> I[DATA]
    C --> J{CrVI}
    J -- Positive --> K[Spot test]
    K -- Negative --> L[Boiling water extraction]
    L --> M[Adding 1,5-diphenylcarbazide for color development]
    M --> N[A red color indicates the presence of CrVI. If necessary, confirm with UV-Vis]
    N --> O[DATA]
  
```

SGS logo and contact information at the bottom.

SGS

Test Report No. TSNEC090093101 Date: 02 Dec 2009 Page 5 of 7

Pb/Cd/Hg/Cr^{VI} Testing Flow Chart

1) Operator : Amy Wang
 2) Section Chief : Cindy Yin

```

  graph TD
    A[Mechanical Sample Preparation] --> B[Sample Measurement]
    B --> C{Pb/Cd/Hg}
    C --> D[Acid digestion with microwave hotplate]
    D --> E[Filtration]
    E --> F{Residue}
    F -- No --> G[Total Digestion]
    F -- Yes --> H[ICP-AES/AAAS]
    H --> I[DATA]
    C --> J{CrVI}
    J -- Positive --> K[Spot test]
    K -- Negative --> L[Boiling water extraction]
    L --> M[Adding 1,5-diphenylcarbazide for color development]
    M --> N[A red color indicates the presence of CrVI. If necessary, confirm with UV-Vis]
    N --> O[DATA]
  
```

SGS logo and contact information at the bottom.

SGS

Test Report No. TSNEC090093101 Date: 02 Dec 2009 Page 6 of 7

Sample photos:

SGS logo and contact information at the bottom.

SGS

Test Report No. TSNEC090093101 Date: 02 Dec 2009 Page 7 of 7

SGS authenticates the photo on original report only
 *** End of Report ***

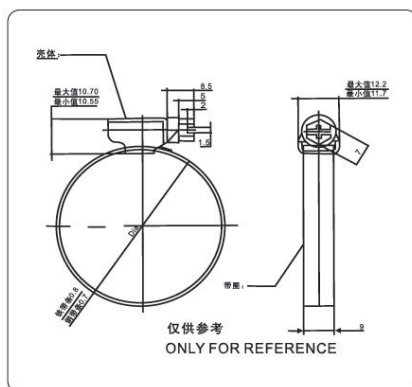
SGS logo and contact information at the bottom.

德式喉箍 German style hose clamp

德式喉箍可依据钢带的宽度分为9mm和12mm，其特点在于不穿孔，卷边的钢带设计，这样有助于在安装过程中防止软管表面被划伤，从而起到保护管内气体或液体外泄的作用。此款产品被广泛应用于汽车，工业，采矿业，船舶等行业。在欧洲颇受用户的欢迎。

The bandwidth can be divided into 9mm and 12mm. The non-perforated and rolled band protects the soft hoses surface from shearing during installation. This kind of hose clamp is commonly used in automotive, industrial, mining, marine and general hardware applications. German style hose clamps are preferred by the European market.

德式喉箍 9mm German style hose clamp 9mm



材质：

W1—钢带，箍壳和螺丝全部为铁镀锌材质。

W2—螺丝铁镀锌，钢带和箍壳为 200SS 或 300SS 不锈钢。

W4 — 钢带，箍壳和螺丝全部为 200SS 或 300SS 不锈钢。

W5 -- 钢带，箍壳和螺丝全部为 316SS 不锈钢

Material:

W1 -All of the band, housing and screw is galvanized steel.

W2 – Screw is galvanized steel, band and housing are 200SS and 300SS.

W4 – All of the band, housing and screw is 200SS and 300SS stainless steel.

W5 – All of the band, housing and screw is 316SS stainless steel.

带宽 Bandwidth	规格 Size	每袋装量 pcs/bag	每箱装量 pcs/carton	外箱尺寸 (m) carton dimension(m)		
9mm	8-12mm	50	1000	0.37	0.2	0.11
9mm	10-16mm	50	1000	0.38	0.27	0.11
9mm	12-20mm	50	1000	0.38	0.27	0.13
9mm	16-27mm	50	1000	0.38	0.27	0.19
9mm	20-32mm	50	500	0.38	0.27	0.13
9mm	25-40mm	50	500	0.38	0.27	0.15
9mm	30-45mm	50	500	0.38	0.27	0.185
9mm	32-50mm	50	500	0.38	0.27	0.175
9mm	40-60mm	20	500	0.38	0.27	0.205
9mm	50-70mm	20	500	0.38	0.27	0.24
9mm	60-80mm	20	500	0.38	0.27	0.34
9mm	70-90mm	20	500	0.4	0.37	0.275
9mm	80-100mm	20	500	0.4	0.37	0.3
9mm	90-110mm	20	500	0.4	0.37	0.35
9mm	100-120mm	20	250	0.4	0.37	0.22
9mm	110-130mm	20	250	0.4	0.37	0.24
9mm	120-140mm	20	250	0.4	0.37	0.26
9mm	130-150mm	20	250	0.4	0.37	0.26
9mm	140-160mm	20	250	0.4	0.37	0.3
9mm	150-170mm	10	250	0.4	0.37	0.3
9mm	160-180mm	10	250	0.4	0.37	0.35

除上述表格中的型号以外，其他型号也可以生产。

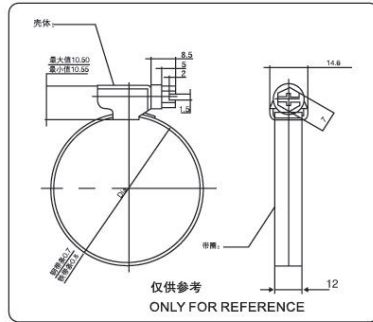
包装方式：常规包装为塑料袋加纸箱；还可提供纸盒、托盘等其他包装方式。

Other sizes of hose clamps are available for us too.

The standard packing is bags and cartons; small box and pallets also can be accepted.



德式喉箍 12mm German style hose clamp 12mm



材质：
W1—钢带，箍壳和螺丝全部为铁镀锌材质。
W2—螺丝铁镀锌，钢带和箍壳为 200SS 或 300SS 不锈钢。
W4 – 钢带，箍壳和螺丝全部为 200SS 或 300SS 不锈钢。
W5 -- 钢带，箍壳和螺丝全部为 316SS 不锈钢

Material:
W1 –All of the band, housing and screw is galvanized steel.
W2 – Screw is galvanized steel, band and housing are 200SS and 300SS.
W4 – All of the band, housing and screw is 200SS and 300SS stainless steel.
W5 – All of the band, housing and screw is 316SS stainless steel.

带宽 Bandwidth	规格 Size	每袋装量 pcs/bag	每箱装量 pcs/carton	外箱尺寸 (m) carton dimension(m)		
12mm	12-20mm	50	1000	0.38	0.27	0.17
12mm	16-27mm	50	1000	0.38	0.27	0.19
12mm	20-32mm	20	1000	0.38	0.27	0.24
12mm	25-40mm	20	1000	0.38	0.27	0.24
12mm	30-45mm	20	500	0.38	0.27	0.21
12mm	32-50mm	20	500	0.38	0.27	0.24
12mm	40-60mm	20	500	0.38	0.27	0.28
12mm	50-70mm	20	500	0.38	0.27	0.34
12mm	60-80mm	20	250	0.38	0.27	0.24
12mm	70-90mm	20	250	0.38	0.27	0.29
12mm	80-100mm	20	500	0.38	0.27	0.34
12mm	90-110mm	20	500	0.4	0.37	0.28
12mm	100-120mm	20	250	0.4	0.37	0.30
12mm	110-130mm	20	250	0.4	0.37	0.30
12mm	120-140mm	20	250	0.4	0.37	0.35
12mm	130-150mm	20	250	0.4	0.37	0.35
12mm	140-160mm	20	250	0.4	0.37	0.35
12mm	150-170mm	10	250	0.4	0.37	0.40
12mm	160-180mm	10	250	0.4	0.37	0.40

德式手柄喉箍 German style hose clamp with butterfly



材质：
W1—钢带，箍壳和螺丝全部为铁镀锌材质。
W2—螺丝铁镀锌，钢带和箍壳为 200SS 或 300SS 不锈钢。

Material:
W1 –All of the band, housing and screw is galvanized steel.
W2 – Screw is galvanized steel, band and housing are 200SS and 300SS.

带宽 Bandwidth	规格 Size	每袋装量 pcs/bag	每箱装量 pcs/carton	外箱尺寸 (m) carton dimension(m)		
9mm	8-12mm	50	1000	0.37	0.2	0.15
9mm	10-16mm	50	1000	0.38	0.27	0.17
9mm	12-20mm	50	1000	0.38	0.27	0.19
9mm	16-27mm	50	1000	0.38	0.27	0.26
9mm	20-32mm	50	500	0.38	0.27	0.17
9mm	25-40mm	50	500	0.38	0.27	0.21
9mm	30-45mm	50	500	0.38	0.27	0.24
9mm	32-50mm	50	500	0.38	0.27	0.26
9mm	40-60mm	20	500	0.38	0.27	0.35
9mm	50-70mm	20	500	0.40	0.37	0.24
9mm	60-80mm	20	500	0.40	0.37	0.26
9mm	70-90mm	20	500	0.4	0.37	0.28
9mm	80-100mm	20	500	0.4	0.37	0.35

德式偏头喉箍 9mm German style hose clamp without welding 9mm



说明：

DSP09A: 钢带宽度 9mm, W1, 铁镀锌材质

DSP09B: 钢带宽度 9mm, W2, 螺丝铁镀锌, 其他部分为 200 或 300 系列不锈钢材质。

DSP09C: 钢带宽度 9mm, W4, 全部为 200 或 300 系列不锈钢材质。

DSP09D: 钢带宽度 9mm, W5, 全部为 316 不锈钢材质。

Note :

DSP09A: Bandwidth 9mm, W1, Galvanized steel.

DSP09B: Bandwidth 9mm, W2, Screw is galvanized steel, other parts are 200 or 300 series stainless steel.

DSP09C: Bandwidth 9mm, W2, All parts are 200 or 300 series stainless steel.

DSP09D: Bandwidth 9mm, W2, All parts are 316 stainless steel.

带宽 bandwidth	规格 Size (mm)	DSP09 series				Pcs/carton	pcs / carton
		DSP09A	DSP09B	DSP09C	DSP09D		
9mm	8-12	DSP09A812	DSP09B812	DSP09C812	DSP09D812	50	1000
9mm	10-16	DSP09A1016	DSP09B1016	DSP09C1016	DSP09D1016	50	1000
9mm	12-20	DSP09A1220	DSP09B1220	DSP09C1220	DSP09D1220	50	1000
9mm	16-27	DSP09A1627	DSP09B1627	DSP09C1627	DSP09D1627	50	1000
9mm	20-32	DSP09A2032	DSP09B2032	DSP09C2032	DSP09D2032	50	1000
9mm	25-40	DSP09A2540	DSP09B2540	DSP09C2540	DSP09D2540	50	500
9mm	30-45	DSP09A3045	DSP09B3045	DSP09C3045	DSP09D3045	50	500
9mm	32-50	DSP09A3250	DSP09B3250	DSP09C3250	DSP09D3250	50	500
9mm	40-60	DSP09A4060	DSP09B4060	DSP09C4060	DSP09D4060	50	500
9mm	50-70	DSP09A5070	DSP09B5070	DSP09C5070	DSP09D5070	50	500
9mm	60-80	DSP09A6080	DSP09B6080	DSP09C6080	DSP09D6080	20	500
9mm	70-90	DSP09A7090	DSP09B7090	DSP09C7090	DSP09D7090	20	500
9mm	80-100	DSP09A80100	DSP09B80100	DSP09C80100	DSP09D80100	20	500
9mm	90-110	DSP09A90110	DSP09B90110	DSP09C90110	DSP09D90110	20	250
9mm	100-120	DSP09A100120	DSP09B100120	DSP09C100120	DSP09D100120	20	250
9mm	110-130	DSP09A110130	DSP09B110130	DSP09C110130	DSP09D110130	20	250
9mm	120-140	DSP09A120140	DSP09B120140	DSP09C120140	DSP09D120140	20	250
9mm	130-150	DSP09A130150	DSP09B130150	DSP09C130150	DSP09D130150	20	250
9mm	140-160	DSP09A140160	DSP09B140160	DSP09C140160	DSP09D140160	20	200
9mm	150-170	DSP09A150170	DSP09B150170	DSP09C150170	DSP09D150170	10	200
9mm	160-180	DSP09A160180	DSP09B160180	DSP09C160180	DSP09D160180	10	200



德式偏头喉箍 12mm German style hose clamp without welding 12mm



说明：

DSP12A: 钢带宽度 12mm, W1, 铁镀锌材质

DSP12B: 钢带宽度 12mm, W2, 螺丝铁镀锌, 其他部分为 200 或 300 系列不锈钢材质。

DSP12C: 钢带宽度 12mm, W4, 全部为 200 或 300 系列不锈钢材质。

DSP12D: 钢带宽度 12mm, W5, 全部为 316 不锈钢材质。

Note :

DSP12A: Bandwidth 12mm, W1, Galvanized steel.

DSP12B: Bandwidth 12mm, W2, Screw is galvanized steel, other parts are 200 or 300 series stainless steel.

DSP12C: Bandwidth 12mm, W2, All parts are 200 or 300 series stainless steel.

DSP12D: Bandwidth 12mm, W2, All parts are 316 stainless steel.

带宽 bandwidth	规格 Size (mm)	DSP09 series				Pcs/carton	pcs / carton
		DSP09A	DSP09B	DSP09C	DSP09D		
12mm	16-27	DSP12A1627	DSP12B1627	DSP12C1627	DSP12D1627	50	1000
12mm	20-32	DSP12A2032	DSP12B2032	DSP12C2032	DSP12D2032	50	1000
12mm	25-40	DSP12A2540	DSP12B2540	DSP12C2540	DSP12D2540	50	500
12mm	30-45	DSP12A3045	DSP12B3045	DSP12C3045	DSP12D3045	50	500
12mm	32-50	DSP12A3250	DSP12B3250	DSP12C3250	DSP12D3250	20	500
12mm	40-60	DSP12A4060	DSP12B4060	DSP12C4060	DSP12D4060	20	500
12mm	50-70	DSP12A5070	DSP12B5070	DSP12C5070	DSP12D5070	20	500
12mm	60-80	DSP12A6080	DSP12B6080	DSP12C6080	DSP12D6080	20	500
12mm	70-90	DSP12A7120	DSP12B7120	DSP12C7120	DSP12D7120	20	250
12mm	80-100	DSP12A80100	DSP12B80100	DSP12C80100	DSP12D80100	10	250
12mm	90-110	DSP12A90110	DSP12B90110	DSP12C90110	DSP12D90110	10	250
12mm	100-120	DSP12A100120	DSP12B100120	DSP12C100120	DSP12D100120	10	250
12mm	110-130	DSP12A110130	DSP12B110130	DSP12C110130	DSP12D110130	10	250
12mm	120-140	DSP12A120140	DSP12B120140	DSP12C120140	DSP12D120140	10	250
12mm	130-150	DSP12A130150	DSP12B130150	DSP12C130150	DSP12D130150	10	250
12mm	140-160	DSP12A140160	DSP12B140160	DSP12C140160	DSP12D140160	10	200
12mm	150-170	DSP12A150170	DSP12B150170	DSP12C150170	DSP12D150170	10	200
12mm	160-180	DSP12A160180	DSP12B160180	DSP12C160180	DSP12D160180	10	200

美式喉箍 American style hose clamp

美式的带宽分为 8mm, 10mm, 12.7mm 和 14.2mm, 美式产品在美国市场上颇受欢迎。

钢带穿孔, 产品的安装扭力小, 承载扭力大。此产品被广泛应用于园林灌溉, 农业, 工业, 船舶等行业。

The bandwidth is divided into 8mm, 10mm, 12.7mm, and 14.2mm. American style hose clamps are preferred by both North and South America markets.

The band is perforated, with low installation torque and high break torque.

This style of clamp is commonly used in gardening, agricultural, industrial, marine and general hardware applications.



材质:

W1—钢带, 箍壳和螺丝全部为铁镀锌材质。

W2—螺丝铁镀锌, 钢带和箍壳为 200SS 或 300SS 不锈钢。

W4—钢带, 箍壳和螺丝全部为 200SS 或 300SS 不锈钢。

W5 -- 钢带, 箍壳和螺丝全部为 316SS 不锈钢

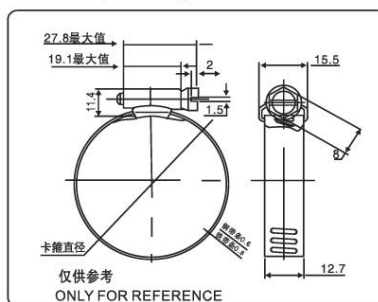
Material:

W1 – All of the band, housing and screw is galvanized steel.

W2 – Screw is galvanized steel, band and housing are 200SS and 300SS.

W4 – All of the band, housing and screw is 200SS and 300SS stainless steel.

W5 – All of the band, housing and screw is 316SS stainless steel.



带宽 Bandwidth	规格 Size		每袋装量 pcs/bag	每箱装量 pcs/carton	外箱尺寸 (m)		
	diameter	inch			carton dimension(m)		
12.7mm	11-25	1"	50	1000	0.37	0.2	0.21
12.7mm	14-27	1-1/16"	50	1000	0.38	0.27	0.21
12.7mm	14-32	1-1/4"	50	1000	0.38	0.27	0.24
12.7mm	17-38	1-1/2"	20	1000	0.38	0.27	0.28
12.7mm	19-44	1-3/4"	20	1000	0.38	0.27	0.3
12.7mm	27-51	2"	20	500	0.38	0.27	0.23
12.7mm	33-57	2-1/4"	20	500	0.38	0.27	0.26
12.7mm	40-63	2-1/2"	20	500	0.38	0.27	0.29
12.7mm	46-70	2-3/4"	20	500	0.4	0.37	0.24
12.7mm	52-76	3"	20	500	0.4	0.37	0.24
12.7mm	59-82	3-1/4"	20	250	0.38	0.27	0.26
12.7mm	65-89	3-1/2"	20	250	0.38	0.27	0.29
12.7mm	71-95	3-3/4"	20	250	0.38	0.27	0.29
12.7mm	78-101	4"	20	250	0.4	0.37	0.22
12.7mm	64-114	4-1/2"	20	250	0.4	0.37	0.24
12.7mm	76-127	5"	20	250	0.4	0.37	0.28
12.7mm	89-139	5-1/2"	20	250	0.4	0.37	0.3
12.7mm	102-152	6"	20	250	0.4	0.37	0.4
12.7mm	114-165	6-1/2"	10	250	0.4	0.37	0.4
12.7mm	127-178	7"	10	250	0.4	0.37	0.4
12.7mm	130-203	6"	10	200	0.4	0.37	0.4
12.7mm	235-254	6-1/2"	10	100	0.4	0.37	0.35
12.7mm	280-305	7"	10	100	0.4	0.37	0.35

一、除上述表格中的型号以外, 其他型号也可以生产。

二、包装方式: 常规包装为塑料袋加纸箱; 还可提供纸盒、托盘等其他包装方式。

Other sizes of hose clamps are available for us too.

The standard packing is bags and cartons; small box and pallets also can be accepted.



小美式喉箍 Mini American style hose clamp



材质：

W1—钢带，箍壳和螺丝全部为铁镀锌材质。
W2—螺丝铁镀锌，钢带和箍壳为 200SS 或 300SS 不锈钢。
W4 – 钢带，箍壳和螺丝全部为 200SS 或 300SS 不锈钢。
W5 -- 钢带，箍壳和螺丝全部为 316SS 不锈钢

Material:

W1 –All of the band, housing and screw is galvanized steel.
W2 – Screw is galvanized steel, band and housing are 200SS and 300SS.
W4 – All of the band, housing and screw is 200SS and 300SS stainless steel.
W5 – All of the band, housing and screw is 316SS stainless steel.

带宽	规格 Size		每袋装量	每箱装量	外箱尺寸 (m)		
	Bandwidth	diameter			inch	pcs/bag	pcs/carton
8mm	8-12	1/2"	100	2000	0.37	0.27	0.13
8mm	6-16	5/8"	100	2000	0.37	0.27	0.15
8mm	10-19	3/4"	100	2000	0.37	0.27	0.15
8mm	10-23	7/8"	100	2000	0.37	0.27	0.19
8mm	11-25	1"	100	2000	0.37	0.27	0.21

美式重型卡箍 Heavy duty American style clamp



此款美式重型卡箍依靠弹垫的作用，即使在最冷的情况下也可以自我调整带圈从而提供最可靠的密封效果。钢带内衬有效的防止软管表面被划伤。产品可以重复使用。

These style clamps provide the self-adjusting band you need for a dependable seal, even in the coldest conditions. Inner liner protects against shearing of hose-surface. This kind clamp is reusable.

材质：

W2 – 螺钉铁镀锌，其他 200SS 或 300SS 不锈钢
W4 – 全部 200SS 或 300SS 不锈钢

Material:

W2 – Bolt is galvanized steel, band and housing 200SS and 300SS.
W4 – All of the parts 200SS and 300SS stainless steel.

美式手柄喉箍 American style hose clamp with handle



材质:

W1—钢带，箍壳和螺丝全部为铁镀锌材质。

W2—螺丝铁镀锌，钢带和箍壳为 200SS 或 300SS 不锈钢。

W4 - 钢带，箍壳和螺丝全部为 200SS 或 300SS 不锈钢。

W5 -- 钢带，箍壳和螺丝全部为 316SS 不锈钢

Material:

W1 -All of the band, housing and screw is galvanized steel.

W2 - Screw is galvanized steel, band and housing are 200SS and 300SS.

W4 - All of the band, housing and screw is 200SS and 300SS stainless steel.

W5 - All of the band, housing and screw is 316SS stainless steel.

带宽 Bandwidth	规格 Size		每袋装量 pcs/bag	每箱装量 pcs/carton	外箱尺寸 (m)		
	diameter	inch			carton dimension(m)		
8mm	8-12	1/2"	100	2000	0.37	0.27	0.13
8mm	6-16	5/8"	100	2000	0.37	0.27	0.15
8mm	10-19	3/4"	100	2000	0.37	0.27	0.15
8mm	10-23	7/8"	100	2000	0.37	0.27	0.19
8mm	11-25	1"	100	2000	0.37	0.27	0.21
12.7mm	11-25	1"	50	1000	0.37	0.27	0.21
12.7mm	14-27	1-1/16"	50	1000	0.38	0.27	0.21
12.7mm	14-32	1-1/4"	50	1000	0.38	0.27	0.24
12.7mm	17-38	1-1/2"	20	1000	0.38	0.27	0.28
12.7mm	19-44	1-3/4"	20	1000	0.38	0.27	0.3
12.7mm	27-51	2"	20	500	0.38	0.27	0.23
12.7mm	33-57	2-1/4"	20	500	0.38	0.27	0.26
12.7mm	40-63	2-1/2"	20	500	0.38	0.27	0.29
12.7mm	46-70	2-3/4"	20	500	0.4	0.37	0.24
12.7mm	52-76	3"	20	500	0.4	0.37	0.24
12.7mm	59-82	3-1/4"	20	250	0.38	0.27	0.26
12.7mm	65-89	3-1/2"	20	250	0.38	0.27	0.29
12.7mm	71-95	3-3/4"	20	250	0.38	0.27	0.29
12.7mm	78-101	4"	20	250	0.4	0.37	0.22
12.7mm	64-114	4-1/2"	20	250	0.4	0.37	0.24
12.7mm	76-127	5"	20	250	0.4	0.37	0.28
12.7mm	89-139	5-1/2"	20	250	0.4	0.37	0.3
12.7mm	102-152	6"	20	250	0.4	0.37	0.4
12.7mm	114-165	6-1/2"	10	250	0.4	0.37	0.4
12.7mm	127-178	7"	10	250	0.4	0.37	0.4
12.7mm	130-203	6"	10	200	0.4	0.37	0.4
12.7mm	235-254	6-1/2"	10	100	0.4	0.37	0.35
12.7mm	280-305	7"	10	100	0.4	0.37	0.35



美式扣盖喉箍 European style hose clamp



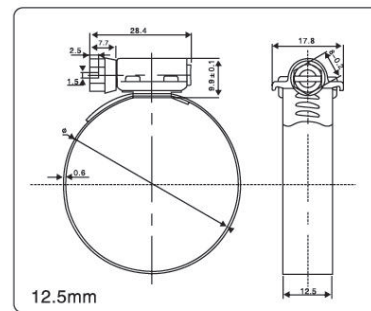
美式扣盖带宽分为 12.7mm、14.2mm 和 15.8mm
The bandwidth is divided into 12.7mm, 14.2mm and 15.8mm

材质：

W4 – 钢带，箍壳和螺丝全部为 200SS 或 300SS 不锈钢。

Material:

W4 – All of the band, housing and screw is 200SS and 300SS stainless steel.



带宽 Bandwidth	规格 Size		每袋装量 pcs/bag	每箱装量 pcs/carton	外箱尺寸 (m)		
	diameter	inch			carton dimension(m)		
12.7mm	11-25	1"	50	1000	0.37	0.27	0.21
12.7mm	14-27	1-1/16"	50	1000	0.38	0.27	0.24
12.7mm	14-32	1-1/4"	50	1000	0.38	0.27	0.24
12.7mm	17-38	1-1/2"	20	1000	0.38	0.27	0.28
12.7mm	19-44	1-3/4"	20	1000	0.38	0.27	0.3
12.7mm	27-51	2"	20	500	0.38	0.27	0.23
12.7mm	33-57	2-1/4"	20	500	0.38	0.27	0.26
12.7mm	40-63	2-1/2"	20	500	0.38	0.27	0.29
12.7mm	46-70	2-3/4"	20	500	0.4	0.37	0.24
12.7mm	52-76	3"	20	500	0.4	0.37	0.24
12.7mm	59-82	3-1/4"	20	250	0.38	0.27	0.26
12.7mm	65-89	3-1/2"	20	250	0.38	0.27	0.29
12.7mm	71-95	3-3/4"	20	250	0.38	0.27	0.29
12.7mm	78-101	4"	20	250	0.4	0.37	0.22
12.7mm	64-114	4-1/2"	20	250	0.4	0.37	0.24
12.7mm	76-127	5"	20	250	0.4	0.37	0.28
12.7mm	89-139	5-1/2"	20	250	0.4	0.37	0.3
12.7mm	102-152	6"	20	250	0.4	0.37	0.4
12.7mm	114-165	6-1/2"	10	250	0.4	0.37	0.4
12.7mm	127-178	7"	10	250	0.4	0.37	0.4
12.7mm	130-203	6"	10	200	0.4	0.37	0.4
12.7mm	235-254	6-1/2"	10	100	0.4	0.37	0.35
12.7mm	280-305	7"	10	100	0.4	0.37	0.35

除上述表格中的型号以外，其他型号也可以生产。

包装方式：常规包装为塑料袋加纸箱；还可提供纸盒、托盘等其他包装方式。

Other sizes of hose clamps are available for us too.

The standard packing is bags and cartons; small box and pallets also can be accepted.

单头空心强力卡箍 Robust clamp with hollow trunnion



材质：

W1 – 全部铁镀锌。
W2 – 螺钉和轴为铁镀锌，其他部分为 200SS 或 300SS 不锈钢。
W4 – 全部 200SS 或 300SS 不锈钢。
W5 – 全部 316SS 不锈钢材质。

Material:

W1 – All of the parts galvanized steel.
W2 – the bolt and trunnion are galvanized steel, other parts 200 or 300 stainless steel.
W4 – All of the parts are 200SS or 300SS stainless steel.
W5 – All of the parts are 316SS stainless steel.

夹紧范围	W1 厚 * 宽	W1/W2 螺丝	W2/W4 厚 * 宽	W4 螺丝	只 / 箱	外箱尺寸 (m)						
Clamping range	Thickness *width	Bolt size	Thickness *width	Bolt size	pcs/carton	Carton dimension(m)						
17-19	0.6*18	M5*40	0.6*18	M5*40	250	0.37	0.2	0.11				
20-22					250	0.37	0.2	0.11				
23-25					250	0.38	0.27	0.11				
26-28					250	0.38	0.27	0.11				
29-31	0.8*20	M6*50	0.6*20	M6*50	200	0.38	0.27	0.13				
32-35					250	0.38	0.27	0.17				
36-39					250	0.38	0.27	0.19				
40-43					250	0.38	0.27	0.205				
44-47	1.2*22	M6*55	0.6*22	M6*60	100	0.38	0.27	0.13				
48-51					100	0.38	0.27	0.17				
52-55					100	0.38	0.27	0.17				
56-59					100	0.38	0.27	0.17				
60-63					100	0.38	0.27	0.19				
64-67					100	0.38	0.27	0.19				
68-73					1.5*24	M8*70	0.8*24	M8*70	100	0.38	0.27	0.24
74-79									100	0.38	0.27	0.28
80-85	100	0.4	0.37	0.22								
86-91	100	0.4	0.37	0.24								
92-97	M8*75	M8*80	100	0.4		0.37	0.26					
98-103			50	0.38		0.27	0.26					
104-112			50	0.38		0.27	0.28					
113-121			50	0.38		0.27	0.26					
122-130	1.7*26	M10*85	1.0*26	M10*90	50	0.40	0.37	0.22				
131-139					50	0.40	0.37	0.28				
140-148					50	0.40	0.37	0.32				
149-161					50	0.40	0.37	0.33				
162-174		M10*100	M10*100	50	0.40	0.37	0.43					
175-187				50	0.40	0.37	0.45					
188-200				25	0.40	0.37	0.25					
201-213				25	0.40	0.37	0.26					
214-226	25	0.40	0.37	0.28								
227-239	25	0.40	0.37	0.31								
240-252	25	0.40	0.37	0.32								



单头实心强力卡箍 Robust clamp with solid trunnion



材质：

W1 – 全部铁镀锌。
W2 – 螺钉和轴为铁镀锌，其他部分为 200SS 或 300SS 不锈钢。
W4 – 全部 200SS 或 300SS 不锈钢。
W5 – 全部 316SS 不锈钢材质。

Material:

W1 – All of the parts galvanized steel.
W2 – the bolt and trunnion are galvanized steel, other parts 200 or 300 stainless steel.
W4 – All of the parts are 200SS or 300SS stainless steel.
W5 – All of the parts are 316SS stainless steel.

夹紧范围	W1 厚*宽	W1/W2 螺丝	W2/W4 厚*宽	W4 螺丝	只/箱	外箱尺寸 (m)						
Clamping range	Thickness *width	Bolt size	Thickness *width	Bolt size	pcs/carton	Carton dimension(m)						
17-19	0.6*18	M5*40	0.6*18	M5*40	250	0.37	0.2	0.11				
20-22					250	0.37	0.2	0.11				
23-25					250	0.38	0.27	0.11				
26-28					250	0.38	0.27	0.11				
29-31	0.8*20	M6*50	0.6*20	M6*50	200	0.38	0.27	0.13				
32-35					250	0.38	0.27	0.17				
36-39					250	0.38	0.27	0.19				
40-43					250	0.38	0.27	0.205				
44-47	1.2*22	M6*55	0.6*22	M6*60	100	0.38	0.27	0.13				
48-51					100	0.38	0.27	0.17				
52-55					100	0.38	0.27	0.17				
56-59					100	0.38	0.27	0.17				
60-63					100	0.38	0.27	0.19				
64-67					100	0.38	0.27	0.19				
68-73					1.5*24	M8*70	0.8*24	M8*70	100	0.38	0.27	0.24
74-79									100	0.38	0.27	0.28
80-85	100	0.4	0.37	0.22								
86-91	100	0.4	0.37	0.24								
92-97	M8*75	M8*80	100	0.4		0.37		0.26				
98-103			50	0.38		0.27		0.26				
104-112			50	0.38		0.27		0.28				
113-121			50	0.38		0.27		0.26				
122-130	1.7*26	M10*85	1.0*26	M10*90	50	0.40	0.37	0.22				
131-139					50	0.40	0.37	0.28				
140-148					50	0.40	0.37	0.32				
149-161					50	0.40	0.37	0.33				
162-174		M10*100		M10*100	50	0.40	0.37	0.43				
175-187					50	0.40	0.37	0.45				
188-200					25	0.40	0.37	0.25				
201-213					25	0.40	0.37	0.26				
214-226	25	0.40	0.37	0.28								
227-239	25	0.40	0.37	0.31								
240-252	25	0.40	0.37	0.32								

双头强力卡箍 Robust clamp with double bolts



材质：

W1 - 全部铁镀锌。
W2 - 螺钉和轴为铁镀锌，其他部分为 200SS 或 300SS 不锈钢。
W4 - 全部 200SS 或 300SS 不锈钢。
W5 - 全部 316SS 不锈钢材质。

Material:

W1 - All of the parts galvanized steel.
W2 - the bolt and trunnion are galvanized steel, other parts 200 or 300 stainless steel.
W4 - All of the parts are 200SS or 300SS stainless steel.
W5 - All of the parts are 316SS stainless steel.

夹紧范围	螺丝	W1/W2/W4/W5 厚 * 宽
Diameter range	Bolt	Thickness *width
30-40	M6*50	1.0*20
35-45	M6*50	1.0*20
40-50	M6*50	1.0*20
45-55	M6*50	1.0*20
50-60	M6*50	1.0*20
55-65	M6*50	1.0*20
60-70	M6*50	1.0*20
65-75	M6*50	1.0*20
70-80	M6*50	1.0*20
75-85	M6*50	1.0*20
80-90	M6*50	1.0*20
85-95	M6*50	1.0*20
90-100	M6*50	1.0*20
95-105	M6*50	1.0*20
100-110	M6*50	1.0*20
105-115	M6*50	1.0*20
110-120	M6*50	1.0*20
115-125	M6*50	1.0*20
120-130	M6*50	1.0*20

夹紧范围	螺丝	W1/W2/W4/W5 厚 * 宽
Diameter range	Bolt	Thickness *width
60-70	M8*60	1.0*24
65-75	M8*60	1.0*24
70-80	M8*60	1.0*24
75-85	M8*60	1.0*24
80-90	M8*60	1.0*24
85-95	M8*60	1.0*24
90-100	M8*60	1.0*24
95-105	M8*60	1.0*24
100-110	M8*60	1.0*24
105-115	M8*60	1.0*24
110-120	M8*60	1.0*24
115-125	M8*60	1.0*24
120-130	M8*60	1.0*24
125-135	M8*60	1.0*24
130-140	M8*60	1.0*24
140-150	M8*60	1.0*24
150-160	M8*60	1.0*24
160-170	M8*60	1.0*24
170-180	M8*60	1.0*24



连胶条卡箍 Fixing clamps with rubber



材质：

W1 - 钢带铁镀锌，配 EPDM 橡胶。

W4 - 钢带 200SS 或 300SS 不锈钢，配 EPDM 橡胶。

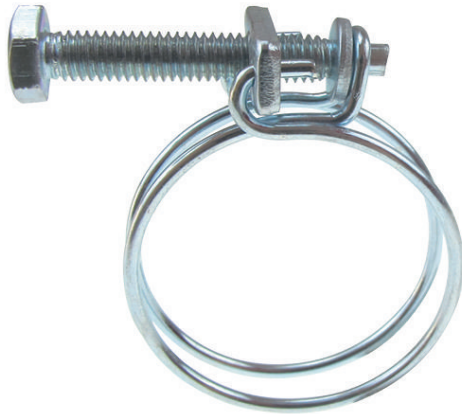
Material:

W1—The band is galvanized steel, with rubber.

W4 - The band is 200SS or 300SS stainless steel, with rubber.

规格	带宽	带厚	带宽	带厚	带宽	带厚
Size	Band width	Band thickness	Band width	Band thickness	Band width	Band thickness
(mm)						
Φ4	12mm	0.6mm				
Φ6	12mm	0.6mm	15mm	0.6mm		
Φ8	12mm	0.6mm	15mm	0.6mm		
Φ10	12mm	0.6mm	15mm	0.6mm		
Φ12	12mm	0.6mm	15mm	0.6mm		
Φ14	12mm	0.8mm	15mm	0.6mm	20mm	0.8mm
Φ16	12mm	0.8mm	15mm	0.8mm	20mm	0.8mm
Φ18	12mm	0.8mm	15mm	0.8mm	20mm	0.8mm
Φ20	12mm	0.8mm	15mm	0.8mm	20mm	0.8mm
Φ22	12mm	0.8mm	15mm	0.8mm	20mm	0.8mm
Φ24	12mm	0.8mm	15mm	0.8mm	20mm	0.8mm
Φ26	12mm	0.8mm	15mm	0.8mm	20mm	1.0mm
Φ28	12mm	0.8mm	15mm	0.8mm	20mm	1.0mm
Φ30	12mm	0.8mm	15mm	0.8mm	20mm	1.0mm
Φ32	12mm	0.8mm	15mm	0.8mm	20mm	1.0mm
Φ34	12mm	0.8mm	15mm	0.8mm	20mm	1.0mm
Φ36	12mm	0.8mm	15mm	0.8mm	20mm	1.0mm
Φ38	12mm	0.8mm	15mm	0.8mm	20mm	1.0mm
Φ40	12mm	0.8mm	15mm	0.8mm	20mm	1.0mm
Φ42	12mm	0.8mm	15mm	0.8mm	20mm	1.0mm
Φ44	12mm	0.8mm	15mm	0.8mm	20mm	1.0mm
Φ46	12mm	0.8mm	15mm	0.8mm	20mm	1.0mm
Φ48	12mm	0.8mm	15mm	0.8mm	20mm	1.0mm
Φ50	12mm	0.8mm	15mm	0.8mm	20mm	1.0mm

双钢丝卡箍 Double wires hose clamp



双钢丝设计有利于保证全面受力，而且受力均匀。
Double wires sealing action provides even pressure at every point.

材质：

W1—全部铁镀锌

W4 – 全部 200SS , 300SS 不锈钢

Material:

W1 – All of the parts are galvanized steel.

W4 – All of the parts are 200SS or 300SS stainless steel.

规格 Size	丝径 mm	螺钉尺寸 mm	每箱装量 pcs/carton	外箱尺寸 (m) carton dimension(m)		
11-14	Φ1.5	M5*30	2000	0.38	0.27	0.14
13-16	Φ1.5	M5*30	2000	0.38	0.27	0.14
15-18	Φ1.5	M5*30	2000	0.38	0.27	0.14
17-20	Φ1.8	M5*30	2000	0.38	0.27	0.14
19-22	Φ1.8	M5*30	1000	0.38	0.27	0.17
20-24	Φ1.8	M5*30	1000	0.38	0.27	0.17
22-26	Φ1.8	M5*30	1000	0.38	0.27	0.17
24-28	Φ1.8	M5*30	1000	0.38	0.27	0.17
26-30	Φ2.2	M6*40	500	0.38	0.27	0.19
28-32	Φ2.2	M6*40	500	0.38	0.27	0.19
31-35	Φ2.2	M6*40	500	0.38	0.27	0.24
33-36	Φ2.2	M6*40	500	0.38	0.27	0.24
34-38	Φ2.2	M6*40	500	0.38	0.27	0.24
35-40	Φ2.2	M6*40	500	0.38	0.27	0.24
37-42	Φ2.2	M6*40	500	0.38	0.27	0.24
40-45	Φ2.2	M6*40	500	0.38	0.27	0.24
42-46	Φ2.2	M6*40	500	0.38	0.27	0.34
43-48	Φ2.2	M6*50	500	0.38	0.27	0.34
45-50	Φ2.2	M6*50	500	0.38	0.27	0.34
47-52	Φ2.2	M6*50	500	0.38	0.27	0.34
50-55	Φ2.2	M6*50	500	0.38	0.27	0.19
53-58	Φ2.2	M6*50	250	0.38	0.27	0.19
55-60	Φ2.2	M6*60	250	0.38	0.27	0.24
54-62	Φ2.2	M6*60	250	0.38	0.27	0.24
60-65	Φ2.2	M6*60	250	0.38	0.27	0.29
63-68	Φ2.5	M6*60	250	0.38	0.27	0.29
65-70	Φ2.5	M6*70	250	0.38	0.27	0.34
70-75	Φ2.5	M6*70	250	0.38	0.27	0.34
75-80	Φ2.5	M6*70	250	0.38	0.27	0.29
80-85	Φ2.5	M6*70	250	0.38	0.27	0.29
84-90	Φ2.5	M6*70	250	0.38	0.27	0.34
90-95	Φ2.5	M6*70	250	0.38	0.27	0.34
94-100	Φ2.5	M6*80	250	0.38	0.27	0.34
98-105	Φ2.5	M6*80	250	0.41	0.32	0.31
103-110	Φ2.5	M6*80	250	0.41	0.32	0.31
113-120	Φ2.5	M6*80	250	0.41	0.32	0.31



英式喉箍 British style hose clamp



英式分为英式挂头，英式点焊和英式柳头三种。

材质：

W1—全部铁镀锌
W4—全部 200SS 或 300SS 材质不锈钢
W5—全部 316 材质不锈钢

Material:

W1—All of the parts galvanized steel
W4—All of the parts 200SS or 300SS stainless steel
W5—All of the parts 316SS stainless steel

带宽 Bandwidth	规格 Size	每盒装量 pcs/box	每箱装量 pcs/carton	外箱尺寸 (m) Carton dimension(m)		
9.7mm	13-16	10	1000	0.39	0.24	0.18
	13-19	10	1000	0.39	0.24	0.18
	16-25	10	1000	0.54	0.30	0.27
	19-29	10	1000	0.54	0.30	0.27
11.7mm	22-32	10	500	0.42	0.32	0.23
	25-38	10	500	0.42	0.32	0.23
	32-44	10	500	0.42	0.37	0.23
	35-51	10	500	0.42	0.42	0.23
	38-57	10	500	0.42	0.42	0.31
	44-64	10	500	0.45	0.45	0.31
	51-70	10	500	0.45	0.45	0.31
	70-89	10	500	0.63	0.50	0.41
	80-100	10	500	0.63	0.50	0.41
	100-120	10	500	0.63	0.47	0.47
	120-140	10	500	0.63	0.50	0.50

速放喉箍 Quick release hose clamp



Quick release,American type
美式速放

Quick release,British type
英式速放

规格 Size	带宽 Bandwidth	带宽 Bandwidth
17-32	12.7mm	14.2mm
17-38	12.7mm	14.2mm
19-44	12.7mm	14.2mm
27-51	12.7mm	14.2mm
33-57	12.7mm	14.2mm
40-63	12.7mm	14.2mm
46-70	12.7mm	14.2mm
52-76	12.7mm	14.2mm
59-82	12.7mm	14.2mm
65-89	12.7mm	14.2mm
71-95	12.7mm	14.2mm
78-101	12.7mm	14.2mm
64-114	12.7mm	14.2mm
76-127	12.7mm	14.2mm
89-139	12.7mm	14.2mm
102-152	12.7mm	14.2mm
114-165	12.7mm	14.2mm
127-178	12.7mm	14.2mm
146-197	12.7mm	14.2mm
64-216	12.7mm	14.2mm
184-235	12.7mm	14.2mm
51-254	12.7mm	14.2mm
51-273	12.7mm	14.2mm
241-292	12.7mm	14.2mm
51-311	12.7mm	14.2mm
292-343	12.7mm	14.2mm

规格 Size	带宽 Bandwidth
32-50	9mm
40-60	9mm
50-70	9mm
60-80	9mm
70-90	9mm
80-100	9mm
90-110	9mm
100-120	9mm
110-130	9mm
120-140	9mm
130-150	9mm
140-160	9mm
150-170	9mm
160-180	9mm
170-190	9mm
180-200	9mm
190-210	9mm
200-220	9mm
210-230	9mm
220-240	9mm
230-250	9mm
240-260	9mm
250-270	9mm
260-280	9mm
270-290	9mm
280-300	9mm

速放喉箍分为美式速放和英式速放两种。

Quick release is divided into American type and British type.

材质：

W2—螺丝和挡片铁镀锌，钢带和箍头 200SS 或 300SS 不锈钢

W4—全部 200SS 和 300SS 不锈钢

Material:

W2—Screw and bridge is galvanized steel, band and housing 200SS and 300SS

W4—All of the band, housing and screw is 200SS and 300SS stainless steel

单耳无极卡箍 Single ear hose clamp



材质：全部 304 材质不锈钢
Material: All of 304SS stainless steel.

规格 Size	材质 Material	带宽 Bandwidth	带厚 Thickness	只 / 袋 pcs/bag
Φ 8	304SS	5	0.55	500
Φ 8.7	304SS	5	0.55	500
Φ 9.5	304SS	5	0.55	500
Φ 10.5	304SS	5	0.55	500
Φ 11.9	304SS	7	0.6	200
Φ 12.3	304SS	7	0.6	200
Φ 13.3	304SS	7	0.6	200
Φ 14	304SS	7	0.6	200
Φ 14.5	304SS	7	0.6	200
Φ 15.3	304SS	7	0.6	200
Φ 15.7	304SS	7	0.6	200

规格 Size	材质 Material	带宽 Bandwidth	带厚 Thickness	只 / 袋 pcs/bag
Φ 16.2	304SS	7	0.6	200
Φ 17	304SS	7	0.6	200
Φ 17.5	304SS	7	0.6	200
Φ 18.5	304SS	7	0.6	200
Φ 19.2	304SS	7	0.6	200
Φ 19.8	304SS	7	0.6	200
Φ 21	304SS	7	0.6	200
Φ 22.6	304SS	7	0.6	100
Φ 24.1	304SS	7	0.6	100
Φ 25	304SS	7	0.6	100
Φ 25.6	304SS	7	0.6	100
Φ 26	304SS	7	0.6	100
Φ 27.1	304SS	7	0.6	100
Φ 28.6	304SS	7	0.6	100
Φ 31.6	304SS	7	0.6	120
Φ 35	304SS	7	0.6	120
Φ 37.6	304SS	7	0.6	120
Φ 39.6	304SS	7	0.6	120
Φ 42.5	304SS	7	0.6	120
Φ 48.5	304SS	7	0.6	120
Φ 56	304SS	7	0.6	120
Φ 58	304SS	7	0.6	120
Φ 68	304SS	7	0.6	120
Φ 74	304SS	7	0.6	120
Φ 83	304SS	7	0.6	120
Φ 95	304SS	7	0.6	120
Φ 101	304SS	7	0.6	120
Φ 120.5	304SS	7	0.6	120

双耳卡箍 Double ears hose clamp



规格 Size	材质 Material	带宽 Bandwidth	带厚 Thickness	只 / 袋 pcs/bag
Φ 8	galvanized steel	5	0.55	500
Φ 8.7		5	0.55	500
Φ 9.5		5	0.55	500
Φ 10.5		5	0.55	500
Φ 11.9		7	0.6	200
Φ 12.3		7	0.6	200
Φ 13.3		7	0.6	200
Φ 14		7	0.6	200
Φ 14.5		7	0.6	200
Φ 15.3		7	0.6	200
Φ 15.7		7	0.6	200
Φ 16.2		7	0.6	200
Φ 17		7	0.6	200
Φ 17.5		7	0.6	200
Φ 18.5		7	0.6	200
Φ 19.2	7	0.6	200	

规格 Size	材质 Material	带宽 Bandwidth	带厚 Thickness	只 / 袋 pcs/bag
Φ 19.8	galvanized steel	7	0.6	200
Φ 21		7	0.6	200
Φ 22.6		7	0.6	100
Φ 24.1		7	0.6	100
Φ 25		7	0.6	100
Φ 25.6		7	0.6	100
Φ 26		7	0.6	100
Φ 27.1		7	0.6	100
Φ 28.6		7	0.6	100
Φ 31.6		7	0.6	120
Φ 35		7	0.6	120
Φ 37.6		7	0.6	120
Φ 39.6		7	0.6	120
Φ 42.5		7	0.6	120
Φ 48.5		7	0.6	120
Φ 56		7	0.6	120
Φ 58		7	0.6	120
Φ 68		7	0.6	120
Φ 74		7	0.6	120
Φ 83		7	0.6	120
Φ 95	7	0.6	120	
Φ 101	7	0.6	120	
Φ 120.5	7	0.6	120	



管束 No-hub couplings



材质：
200 或 300 系列不锈钢

Material:
200 or 300 Series stainless steel

Size (inch)	Package (pcs/ctn)	Carton Size (cm)	G.W./Ctn (kg)
1.5"	100	33*24*32	16.50
2"	100	37*29*32	17.20
3"	100	48*39*32	19.50
4"	100	61*49*32	21.27
5"	50	58*49*41	15.65
6"	50	70*49*41	17.00
8"	30	67*46*53	14.73
10"	30	80*54*55	15.20
12"	16	66*66*45	16.00

弹簧卡箍 Spring clamp



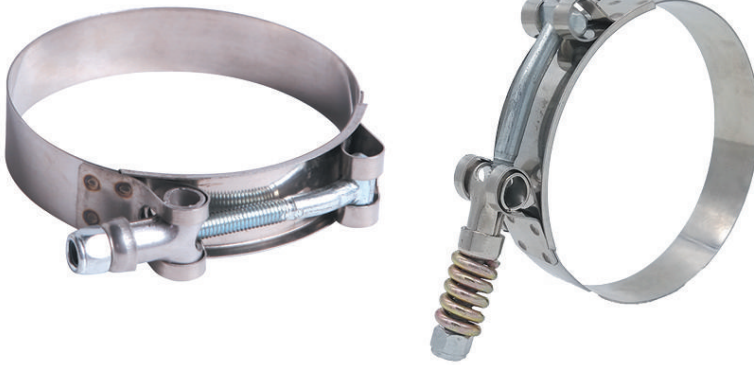
材质：
1.SG 系列：65 锰镀锌 处理
2.SD 系列：65 锰达克罗处理
3.SC 系列：65 煮黑处理

Material:
1.SG:galvanized 65Mn steel
2.SD: dacromet 65Mn steel
3.SC:color-harden 65Mn steel

Product Code			Size (mm)	Bandwidth*Thickness (mm)
SG4	SD4	SC4	4	6*0.4
SG5	SD5	SC5	5	6*0.6
SG6	SD6	SC6	6	6*0.6
SG7	SD7	SC7	7	6*0.6
SG8	SD8	SC8	8	8*0.8
SG9	SD9	SC9	9	8*0.8
SG9.5	SD9.5	SC9.5	9.5	8*0.8
SG10	SD10	SC10	10	8*0.8
SG10.5	SD10.5	SC10.5	10.5	8*0.8
SG11	SD11	SC11	11	8*0.8
SG11.5	SD11.5	SC11.5	11.5	8*0.8
SG12	SD12	SC12	12	8*0.8
SG12.5	SD12.5	SC12.5	12.5	8*0.8
SG13	SD13	SC13	13	10*1.0
SG13.5	SD13.5	SC13.5	13.5	10*1.0
SG14	SD14	SC14	14	10*1.0
SG14.5	SD14.5	SC14.5	14.5	10*1.0
SG15	SD15	SC15	15	10*1.0
SG16	SD16	SC16	16	12*1.0
SG17	SD17	SC17	17	12*1.0
SG18	SD18	SC18	18	12*1.0

Product Code			Size (mm)	Bandwidth*Thickness (mm)
SG19	SD19	SC19	19	12*1.0
SG20	SD20	SC20	20	12*1.0
SG21	SD21	SC21	21	12*1.0
SG23	SD23	SC23	23	12*1.2
SG24	SD24	SC24	24	12*1.2
SG25	SD25	SC25	25	12*1.2
SG26	SD26	SC26	26	12*1.2
SG27	SD27	SC27	27	15*1.5
SG28	SD28	SC28	28	15*1.5
SG29	SD29	SC29	29	15*1.5
SG30	SD30	SC30	30	15*1.5
SG33	SD33	SC33	33	12*1.8
SG35	SD35	SC35	35	12*1.8
SG36	SD36	SC36	36	12*1.8
SG39	SD39	SC39	39	12*1.8
SG42	SD42	SC42	42	12*1.8
SG44	SD44	SC44	44	12*1.8
SG45	SD45	SC45	45	12*1.8
SG47	SD47	SC47	47	15*2.0
SG52	SD52	SC52	52	15*2.0
SG60	SD60	SC60	60	15*2.5

T 型强力 T bolt clamp



材质：

W2—钢带、舌板为 200 或 300 系列不锈钢，其他部分为铁镀锌材质。

W4—全部为 200 或 300 系列不锈钢材质。

W5—316 不锈钢材质

Material:

W2 – Band and tongue plate are stainless steel, other parts are galvanized steel.

W4—Stainless steel 200 or 300 series.

W5—316 stainless steel.

Size (mm)	Bandwidth*Thickness (mm)	Package		Carton Size (cm)	G.W./Ctn (kg)	Torque (N.m)
		pcs/bag	pcs/ctn			
35-40	19*0.6	20	300	38*27*21	15.50	≥ 10
38-43	19*0.6	20	300	38*27*21	16.00	≥ 10
41-46	19*0.6	20	300	38*27*24	16.80	≥ 10
44-51	19*0.6	20	300	38*27*24	17.40	≥ 10
48-56	19*0.6	20	300	38*27*29	18.10	≥ 10
51-59	19*0.6	20	300	38*27*29	18.70	≥ 10
54-62	19*0.6	10	250	36*36*30	16.10	≥ 10
57-65	19*0.6	10	250	38*27*34	16.50	≥ 10
60-68	19*0.6	10	250	40*37*28	16.90	≥ 10
63-71	19*0.6	10	250	40*37*28	17.30	≥ 10
67-75	19*0.6	10	250	40*36*30	17.80	≥ 10
70-78	19*0.6	10	250	40*36*30	18.20	≥ 10
73-81	19*0.6	10	250	40*37*35	18.60	≥ 10
76-84	19*0.6	10	250	40*37*35	19.00	≥ 10
79-87	19*0.6	10	250	40*37*35	19.10	≥ 10
83-91	19*0.6	10	250	40*37*35	19.20	≥ 10
86-94	19*0.6	10	250	40*37*35	20.00	≥ 10
89-97	19*0.6	10	250	40*37*40	20.60	≥ 10
92-100	19*0.6	10	250	40*37*40	21.20	≥ 10
95-103	19*0.6	10	250	48*40*35	21.50	≥ 10
102-110	19*0.6	10	250	48*40*35	21.90	≥ 10
108-116	19*0.6	10	100	38*27*17	11.60	≥ 10
114-122	19*0.6	10	100	38*27*19	12.20	≥ 10
121-129	19*0.6	10	100	38*27*21	12.90	≥ 10
127-135	19*0.6	10	100	38*27*24	13.60	≥ 10
133-141	19*0.6	10	100	38*27*29	14.20	≥ 10
140-148	19*0.6	10	100	38*27*34	14.90	≥ 10
146-154	19*0.6	10	100	38*27*34	15.50	≥ 10
152-160	19*0.6	5	100	40*37*28	16.10	≥ 10
159-167	19*0.6	5	100	40*36*30	16.80	≥ 10
165-173	19*0.6	5	100	40*37*35	17.40	≥ 10
172-180	19*0.6	5	50	38*27*17	9.20	≥ 10
178-186	19*0.6	5	50	38*27*19	9.80	≥ 10
184-192	19*0.6	5	50	38*27*21	10.40	≥ 10
190-198	19*0.6	5	50	38*27*24	10.90	≥ 10



V 型沟槽 V-Crooce Clamp



主要应用于汽车，工业等，应用于过滤器机架，涡轮增压系统，排气系统等。

V-Crooce Clamp

This style clamps are commonly used in automotive, industry, especially used on filter rack, exhaust turbocharging system and other kinds of exhaust system.

可按客户要求订做。

These kinds of clamps can be made according to drawing and samples from customers.

消声器卡箍 Muffler clamp

材质：
铁镀锌

Material:
Galvanized steel for all parts.



迷你卡箍 Mini hose clamp



材质：

1. 铁镀锌
2. 200 与 300 系列不锈钢材质

Material:

1. Galvanized steel.
2. Stainless steel 200 or 300 series.

Size(mm)	Bandwidth*Thickness (mm)	Package		Carton Size (cm)	G.W./Ctn (kg)
		pcs/bag	pcs/ctn		
7-9	9*0.5	200	2000	32*27*15	10
8-10	9*0.5	200	2000	32*27*15	10
9-11	9*0.5	100	2000	32*27*15	11
10-12	9*0.5	100	2000	32*27*15	11
11-13	9*0.5	100	2000	37*27*15	12
12-14	9*0.5	100	2000	37*27*15	12
13-15	9*0.5	100	2000	37*27*15	13
14-16	9*0.5	100	2000	37*27*15	13
15-17	9*0.5	100	2000	37*27*15	14
16-18	9*0.5	100	2000	37*27*15	14
17-19	9*0.5	100	2000	32*27*19	15
18-20	9*0.5	100	2000	32*27*19	15
19-21	9*0.5	50	1000	37*27*15	8
20-22	9*0.5	50	1000	37*27*15	8
21-23	9*0.5	50	1000	32*27*19	9
22-24	9*0.5	50	1000	32*27*19	9
23-25	9*0.5	50	1000	32*27*19	10
24-26	9*0.5	50	1000	32*27*19	10
25-27	9*0.5	50	1000	32*27*19	11
26-28	9*0.5	50	1000	32*27*19	11
27-29	9*0.5	50	1000	32*27*19	11
28-30	9*0.5	50	1000	37*27*15	6
29-31	9*0.5	50	1000	37*27*15	6
30-32	9*0.5	50	1000	37*27*15	6
31-33	9*0.5	50	1000	37*27*15	7
32-34	9*0.5	50	1000	37*27*15	7



美式套装 DIY clamp



钢带宽度分别 8mm , 12.7mm , 14.2mm
The bandwidth is divided into 8mm, 12.7mm and 14.2mm.

头部材质：

W2—螺丝铁镀锌，箍壳为 200SS 或 300SS 不锈钢。

W4 - 箍壳和螺丝全部为 200SS 或 300SS 不锈钢。

钢带材质：200SS 或 300SS 不锈钢

Head Material:

W2 - Screw is galvanized steel, housing is 200SS and 300SS.

W4 - All of the housing and screw are 200SS and 300SS stainless steel.

Band Material: 200SS and 300SS stainless steel.

质量 成就品牌 **诚信** 铸造就品牌

www.poofey.com

联系人：赵振园（总经理）

电话：022-6877 5195

传真：022-6877 1897

邮箱：zhaozhenyuan@poofey.com

网址：www.poofey.com

地址：天津市静海县沿庄镇元蒙口工业园区

Zhao Zhenyuan (General manager)

Tel: 0086-22-6877 5195

Fax: 0086-22-6877 1897

Mail: zhaozhenyuan@poofey.com

Http: [//www.poofey.com](http://www.poofey.com)

Add: Yuanmengkou Industrial Area,
Yanzhuang Town, Jinghai, Tianjin, CHINA.